



Recess curtain tracks for clean lines



Reese™ is a recessed curtain track solution that is built into the ceiling during construction. Curtain tracks systems from Lutron® can be fitted inside the Reese track when construction work is completed. When installed, curtains hang below the track close to the finished ceiling.

Tracks and end sets are available with chamfered edges and with skim coat flanges, depending on ceiling type. Tracks and end sets can be emulsion painted to perfectly match the ceiling.

Features

- Minimalistic design hiding curtain tracks
- End sets tailored to drive-end and belt return-end
- Option to install with or without skim coat flanges
- Supplied in 6m lengths or cut to specific size
- White as standard



TECHNICAL INFORMATION

DESCRIPTION

Recessed profiles to house curtain tracks, drives and belt returns.

MATERIAL

- Tracks in anodized aluminium, EN 6060 T66
- End sets in POM polymer

SIZES

- Track size 30x39.5 mm
- Pre-cut to length or lengths for cutting at site
- End set size maximum width 74 mm

FINISHES

- White to be plastered in and decorated at site to match ceiling.

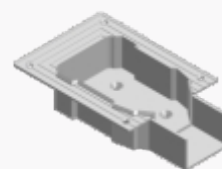
SKIM COAT FLANGES

- Flanges on both sides
- No flanges

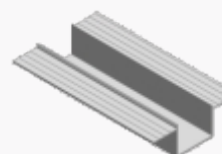
INSTALLATION

- Screws through skim coat flanges or countersink screws through track
- The finished plaster level should be flush with chamfered edge.

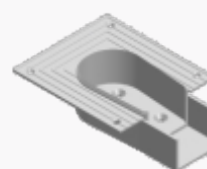
Reese with skim coat flange



Drive-end
LMBF



Track
RT1F



Return-end
LRBF

Reese without flange



Drive-end
LMB



Track
RT1

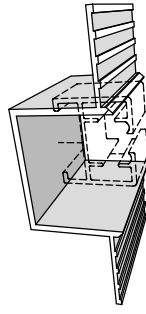


Return-end
LRB

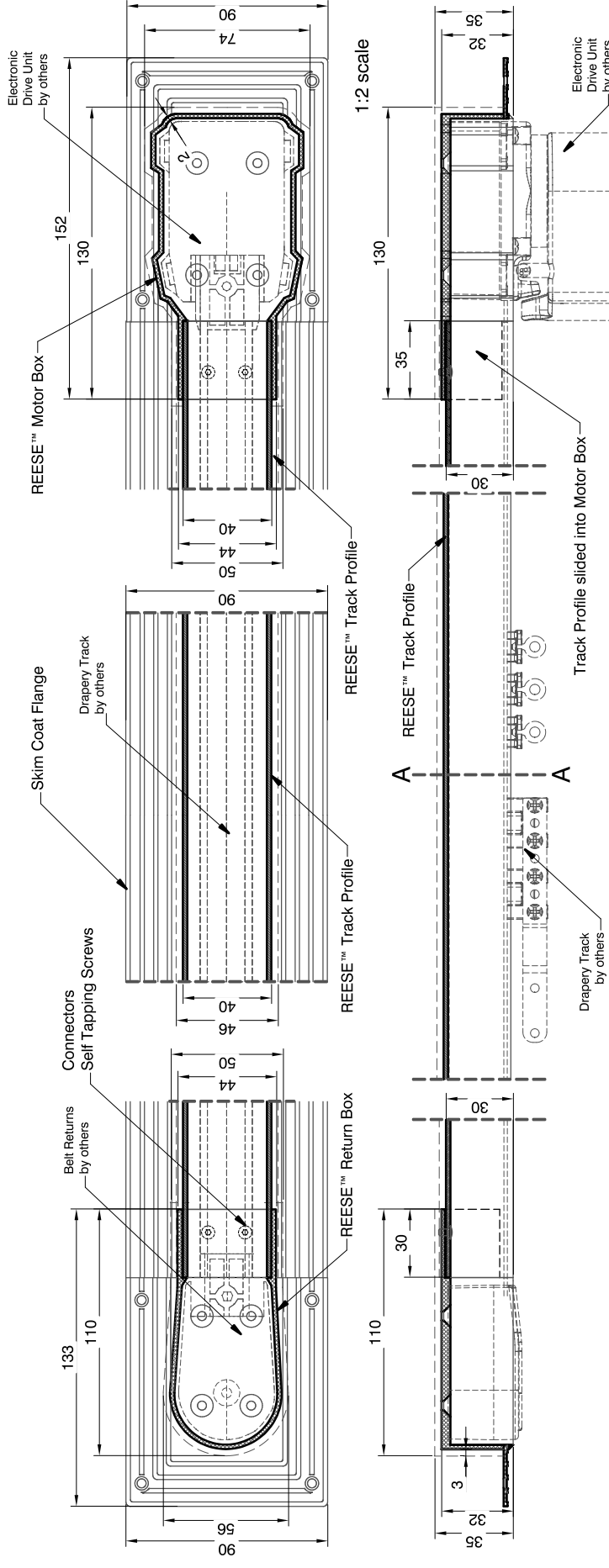
Reese™ is a trademark of Blindspace AB.

Lutron® is a trademark of Lutron Electronics Co., Inc.,

Product	Reese LIF
Description	Recessed profiles to house curtain tracks
Material	U-profile: Anodized Aluminium, grade: EN 6060 T66 End cap: Plastic POM Polymer
Finishes	White to be plastered in and decorated at site to match ceiling.
Tracks sizes	Curtain Tracks Sizes to fit inside the profiles. space available for third party track profile: W35xH27
Installation	Anchoring with countersink screws through profile walls near the center of profiles are recommended. The finished plaster level should be flush with chamfered edge.
Drawing	Standard Reese Track Profile LIF
Item name	RT1F, LMB1F, LRB1F
Notes	Dimensions in mm Do not scale from drawing
Drawn by	M. Kozak
Revision	A. Sundelin
change:	date:
6/21 first issue	2016-04-10
R302 naming change	2016-04-17



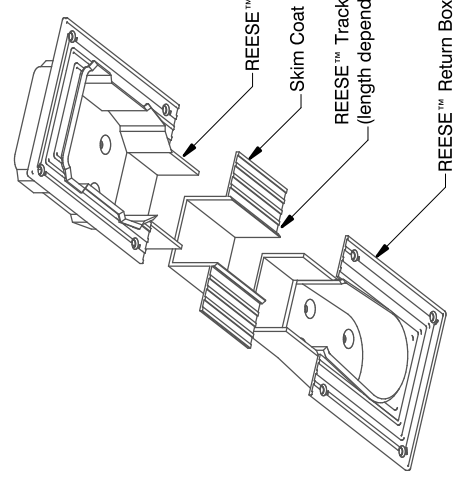
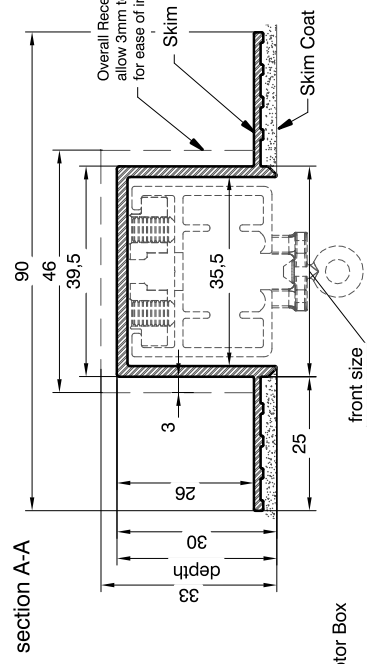
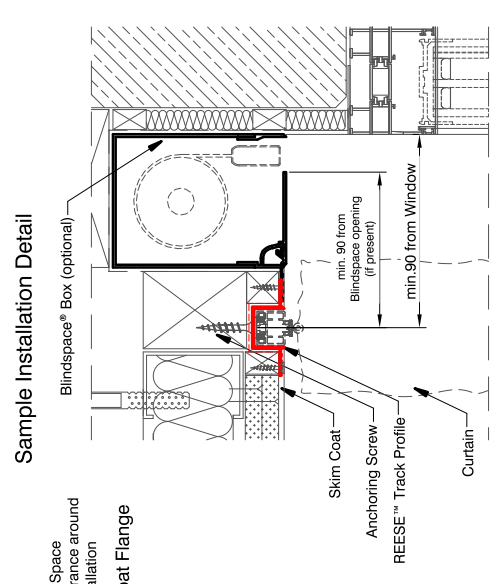
Print date	2016-04-18
Print file	reese_lif.pdf (1.0)
Page size	ISO A3 420x297
Remarks	



REESE™ Motor Box
item: LMB1F
1:2 scale

REESE™ Track Profile
item: RT1F
1:1 full scale

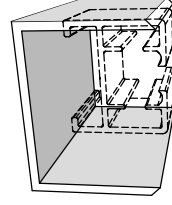
REESE™ Return Box
item: LRB1F
1:1 full scale



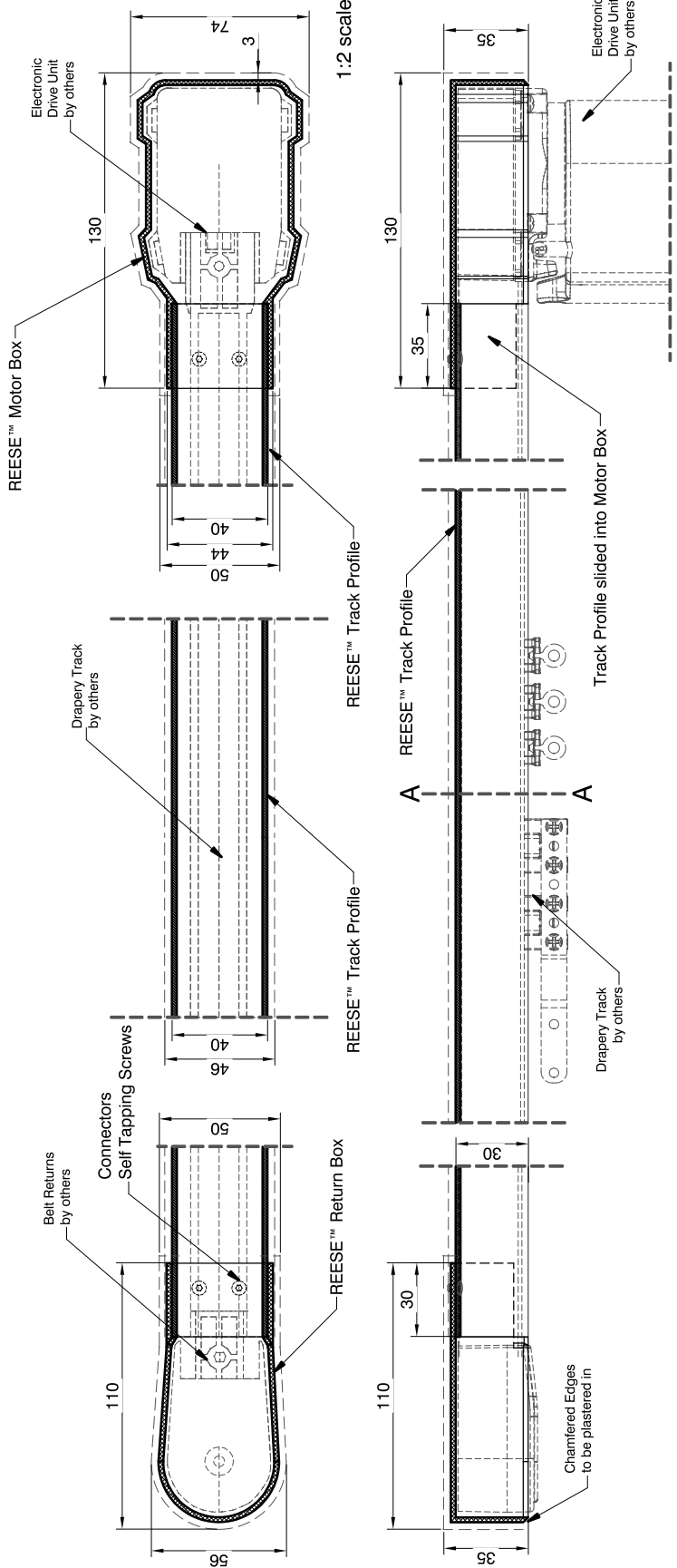
1:5 scale

1:1 full scale

Product	Reese L1E
Description	Recessed profiles to house curtain tracks
Material	U-profile: Anodized Aluminium, grade: EN 6060 T66 End cap: Plastic POM Polymer
Finishes	White to be plastered in and decorated at site to match ceiling.
Tracks sizes	Curtain Tracks Sizes to fit inside the profiles: space available for third party track profile: W35xH27
Installation	Anchoring with countersink screws through profile walls near the center of profiles are recommended. The finished plaster level should be flush with chamfered edge.
Drawing	Standard Reese Track Profile L1E
Item name	RT1E, LMB1E, LRB1E
Notes	Dimensions in mm Do not scale from drawing
Drawn by	M. Kozak
Revision	A. Sundellin
change:	date:
R101 first issue	2017-12-08
R102 first update	2018-04-10
R103 box shape update	2018-04-10
R104 item naming change	2018-04-17



Print date	2018-04-17
Print file	Reese L1E (L1E).dwg
Page size	ISO A3 420x297
Remarks	



RESEE™ Motor Box
item: LMB1E

RESEE™ Track Profile
item: RT1E

RESEE™ Return Box
item: LRB1E

