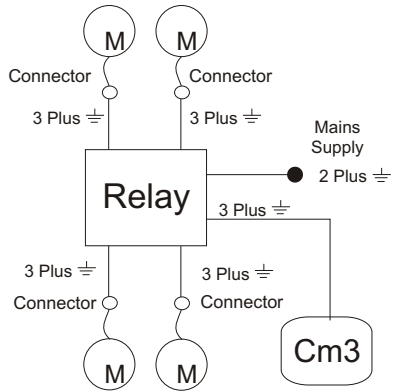
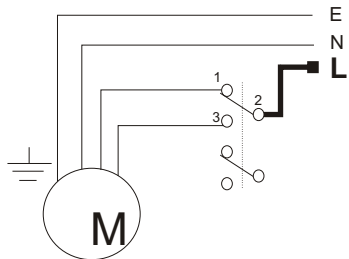
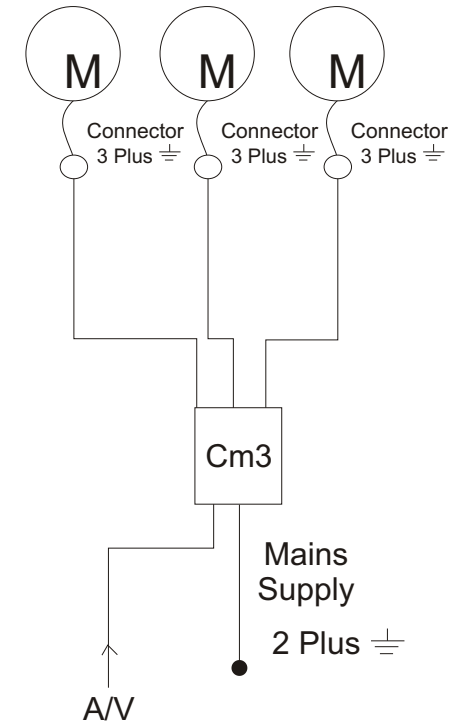
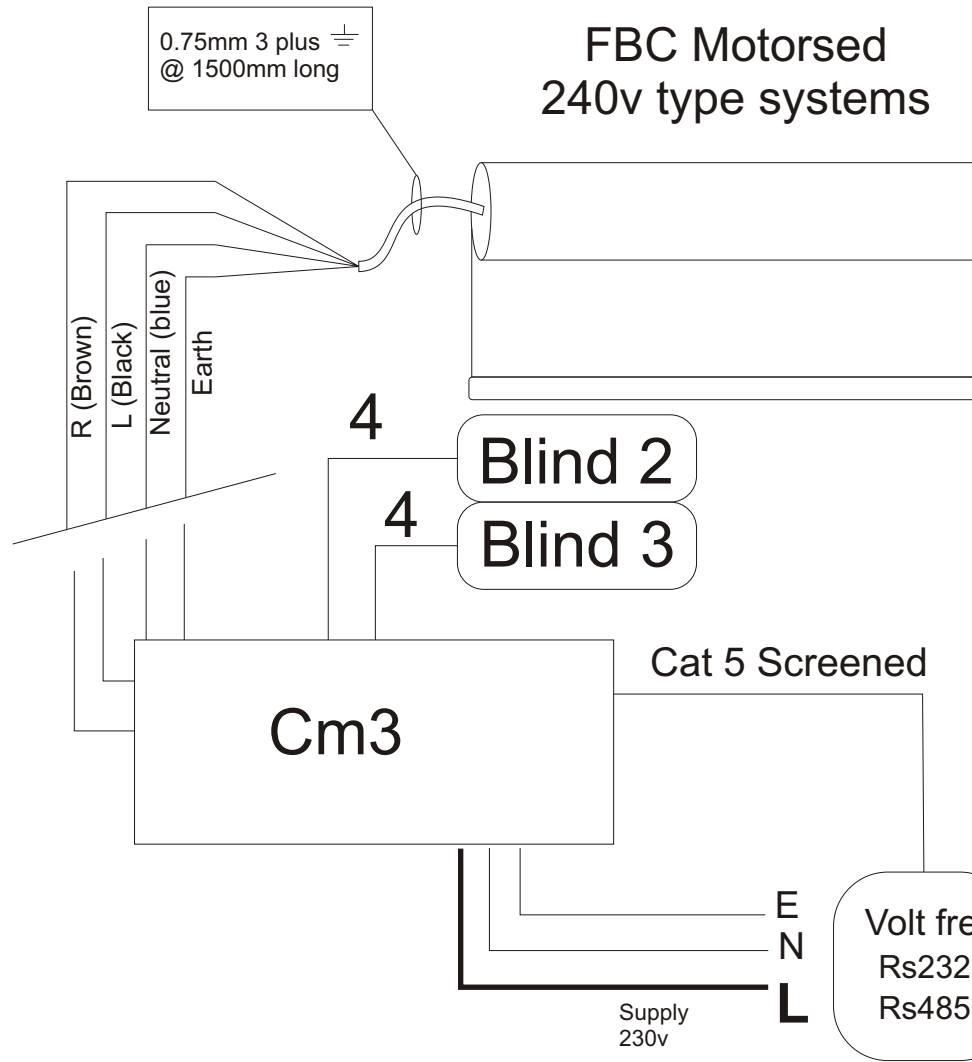


Multiple Motors operating as one group
See Drawing Number D101



Multiple Motors should not be parallel wired



3 Motor's operating from a CM3 Interface Unit

Motor Type
1

Farnborough Blind Co Ltd
Unit 7 Norths Downs Business Park
Limepit Lane
Sevenoaks
Kent
TN13 2TL
TEL: 01732 456304,
FAX 01732 453653

Drawing Number
D107