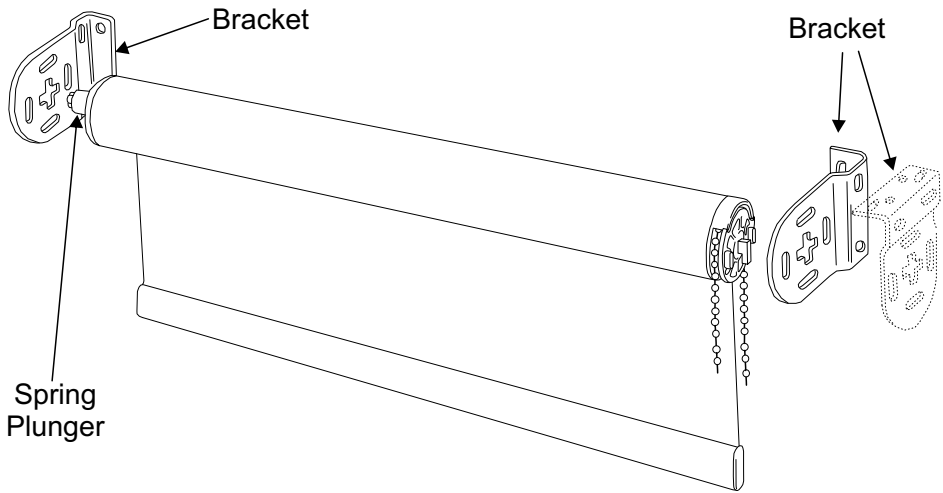


# SIDECONTROL

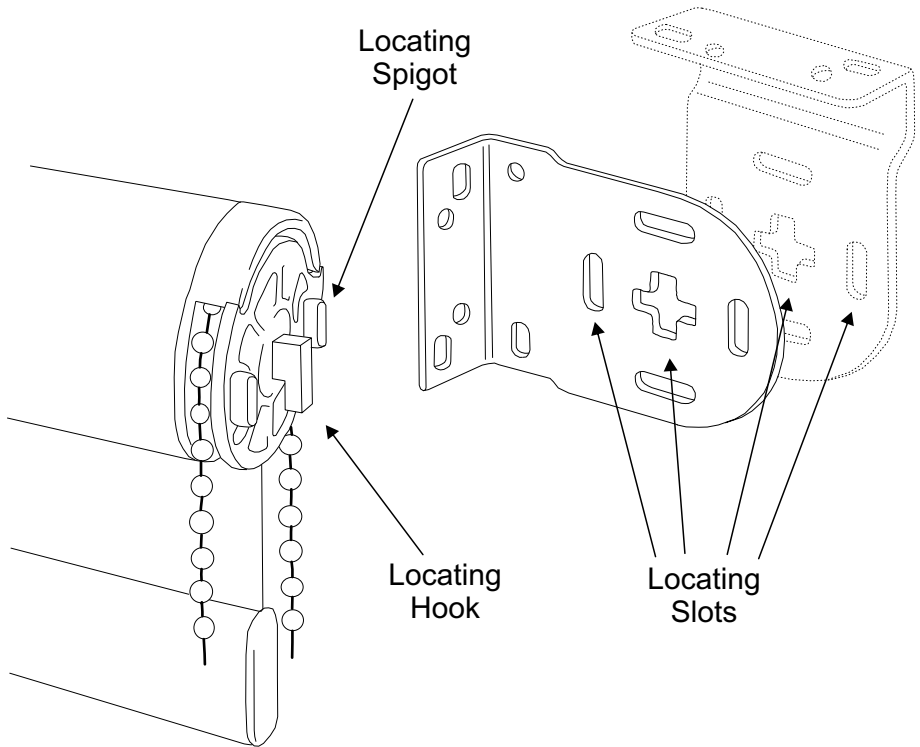
Systems 32, 40, 45



## Fitting the Brackets


Bracket positions illustrated are for a blind with the control chain on the right. For a blind with control chain on the left the brackets should be at opposite ends. Brackets can be fixed to any flat surface above, behind or to the side of the blind. They must be level to ensure the smooth operation of the blind. Check that the rolled up fabric will not touch any surface. To calculate the spacing between the brackets add 35 mm to the width of the blind fabric. Fix the brackets so that the outsides of the brackets are this distance apart.





## Fitting the Blind

Hold the blind to the brackets with the fabric hanging from the back of the blind or from the front when reverse rolled. Fit the spring plunger into its bracket, then push the blind into this bracket, depressing the plunger.

With the locating hook on the chain gear pointing downwards place the hook into the vertical part of the  shaped hole in the bracket. Allow the hook to drop downwards so that it locks into place in the bracket.

**WARNING**

Parents should realise that children could accidentally strangle in window blind cords. Keep cords out of the reach of children. Use these devices available at local DIY or Curtain and Blind stores.

- A. Cleat
- B. Clamp or Clothes Peg
- C. Tie-Cord to Itself
- D. Tie-Down Device