

# CM1 USER MANUAL

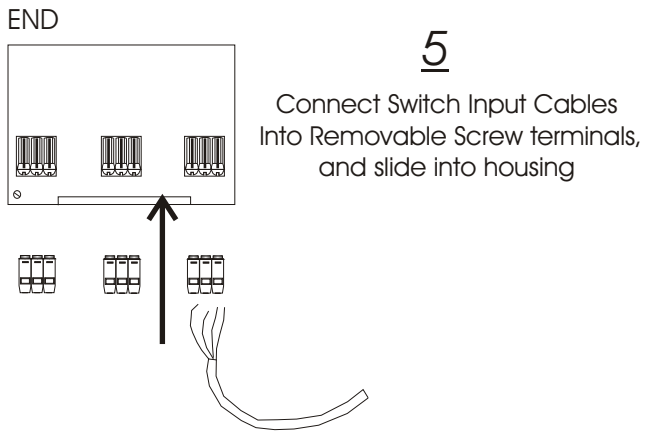
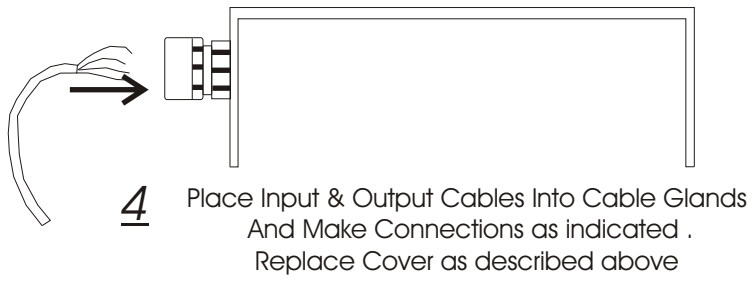
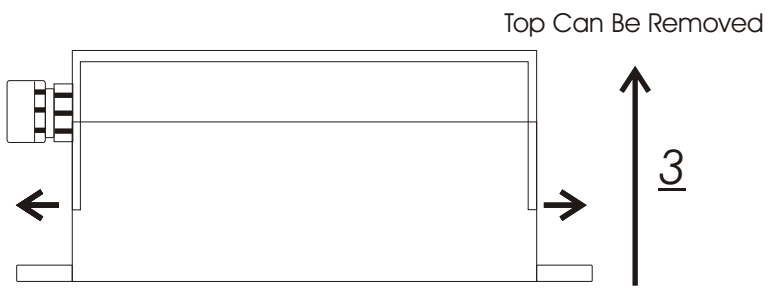
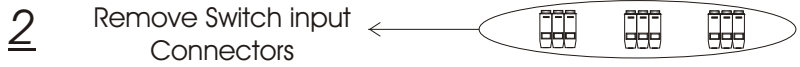
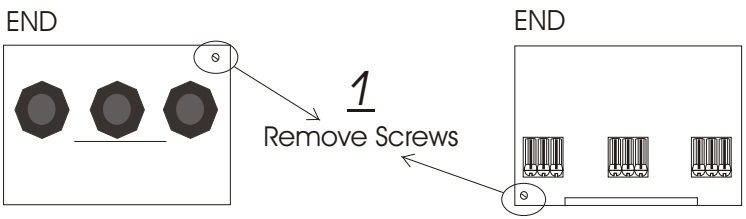
## TABLE OF CONTENTS

- 1 REMOVING COVER
- 1A CONNECTING TO A 220/240 VOLT SUPPLY
- 2 CONNECTING TO 240 VOLT MOTORS
- 2A CONNECTING TO RELAYS
- 3 CONNECTING SWITCH INPUTS
- 3A CONNECTING ALARM INPUTS
- 4 PROJECTION SCREEN & BLIND INPUT
- 5 AUDIO VISUAL CONTROL
- 5A AUDIO VISUAL CONTROL
- 6 VOLT FREE MODE
- 7 MODES FOR CONTROL
- 8 PARTS LIST
- 9 ENCLOSURE DIMENSIONS

WARNING  
240v AC

ELECTRIC BLIND Co LTD

# 1 REMOVING COVER



## 1A CONNECTING 220/240 VOLT INPUT.

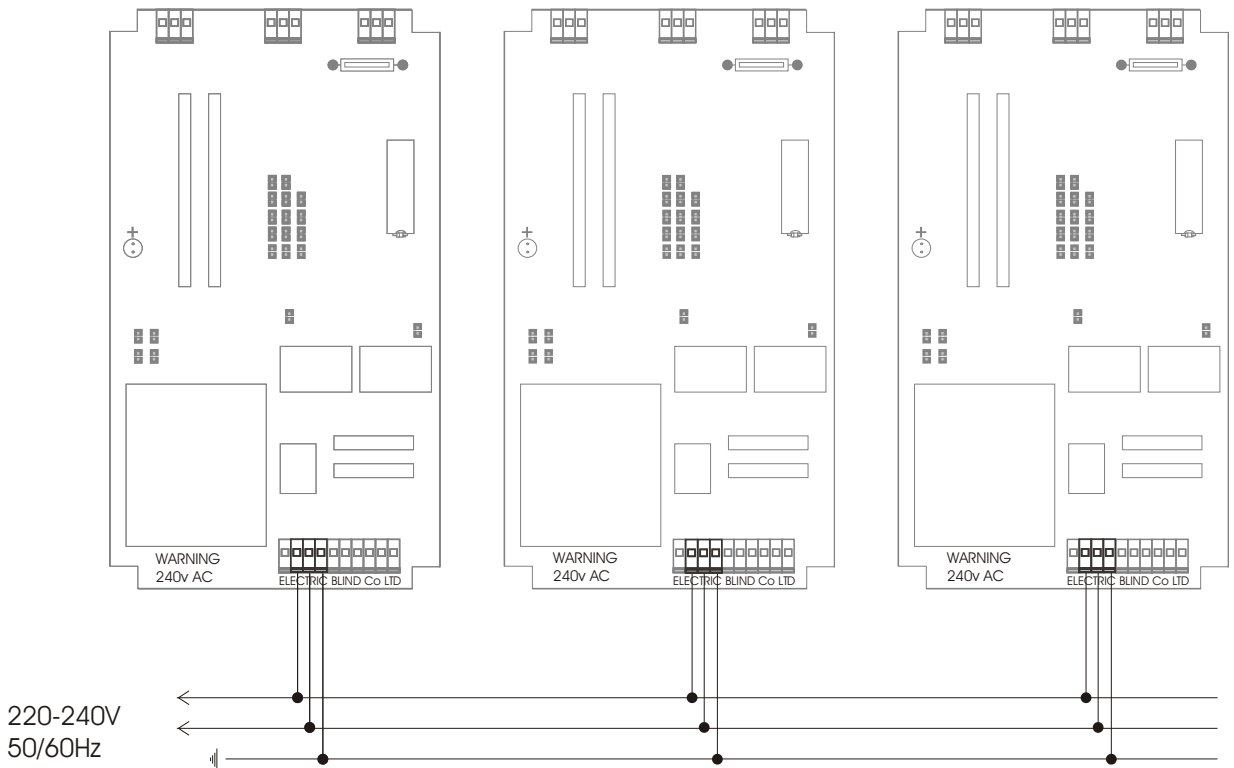
The CM1 is compatible with all standard EBC electric blinds and electrical components.

Cabling arrangements are shown in the diagram.

Respect the electrical standards as well as the following points:

A.. Disconnect the main before carrying out any work

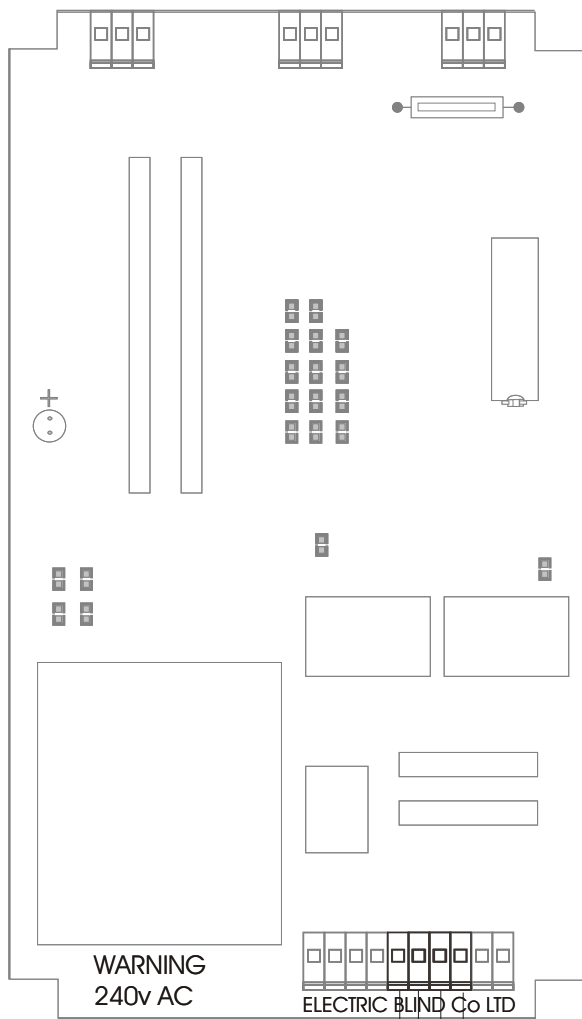
B.. Use 1.5mm max. Flexible cables



# 2 CONNECTION TO 240 VOLT MOTORS

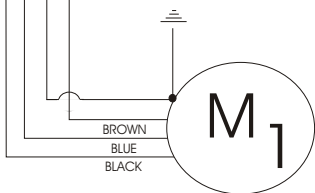
*Cabling arrangements are shown in the diagram.*

**PLEASE NOTE**  
ALL OUTPUTS WILL BE  
TURNED OFF AFTER  
2 MINUTES (EVEN IF TRIGGER IS ACTIVE)



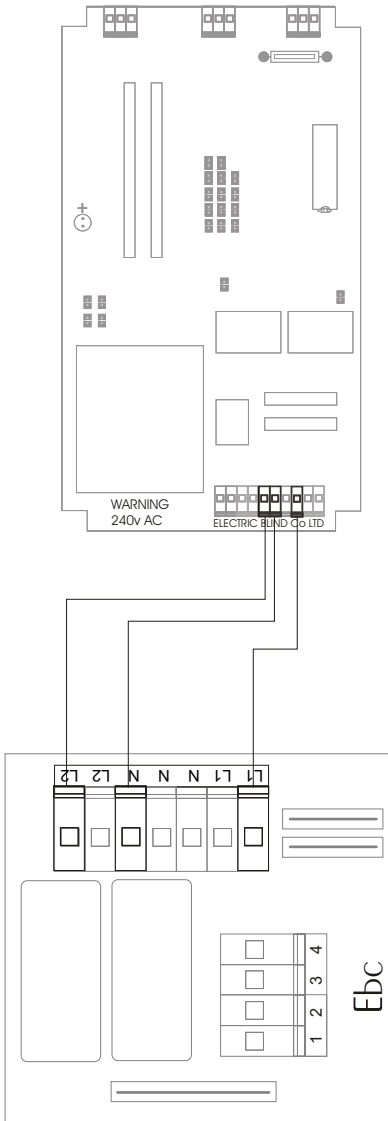
## MOTOR CONNECTION

- BROWN/ BLACK = L1
- BROWN/ BLACK = L2
- BLUE = N
- GREEN/ YELLOW = E



# 2A CONNECTION TO RELAYS

Cabling arrangements are shown in the diagram.

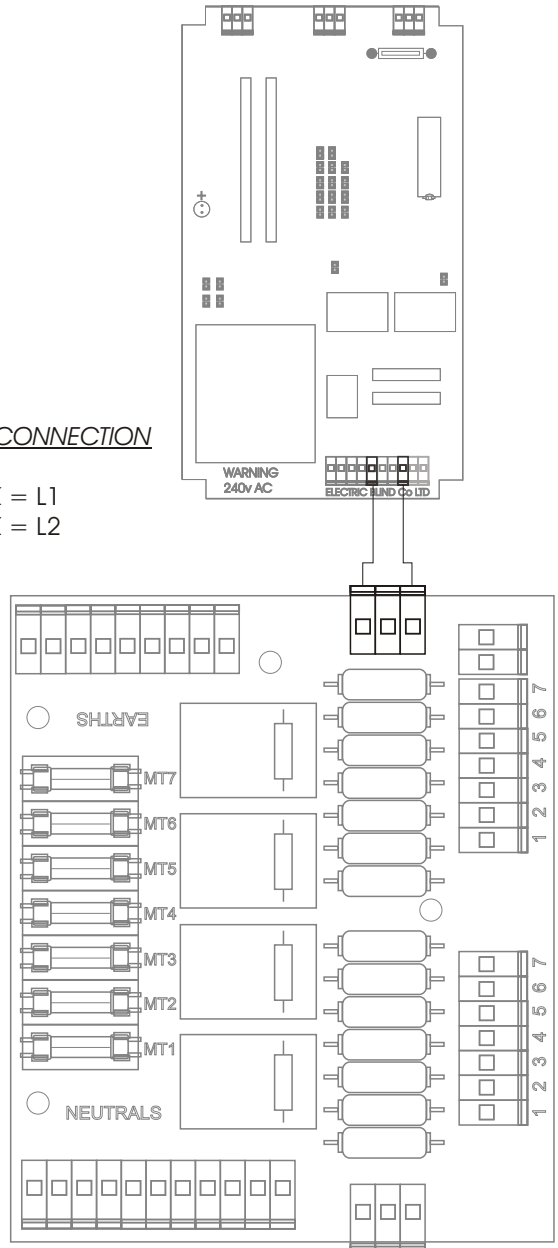


RELAY SWITCH CONNECTION

BROWN/ BLACK = L1  
 BROWN/ BLACK = L2  
 BLUE = N

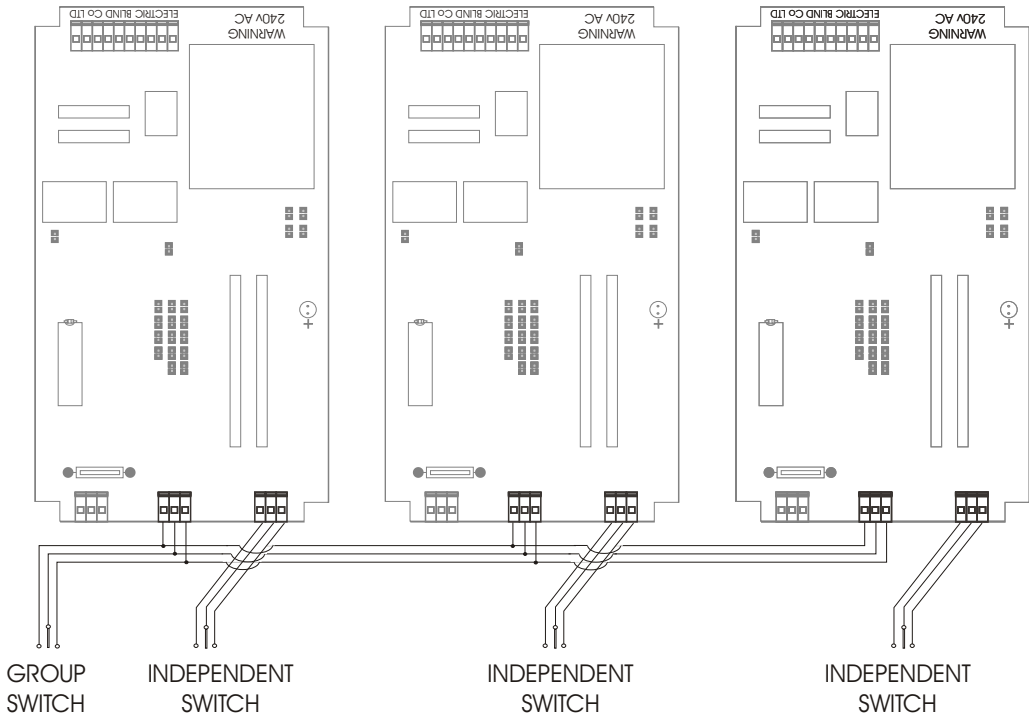
GROUP RELAY CONNECTION

BROWN/ BLACK = L1  
 BROWN/ BLACK = L2  
 NEUTRAL = N



### 3 CONNECTION TO SWITCH INPUTS

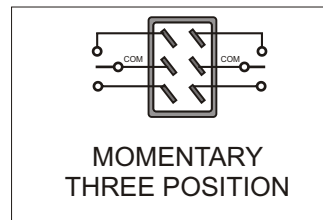
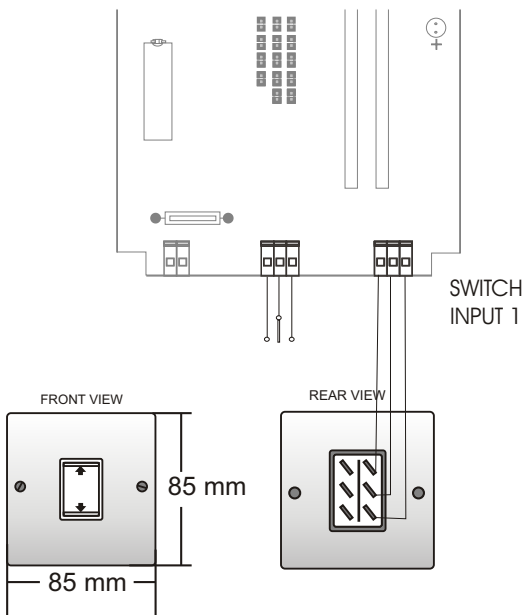
*Cabling arrangements are shown in the diagram.*



### GROUP AND INDEPENDENT CONTROL VIA WALL SWITCH

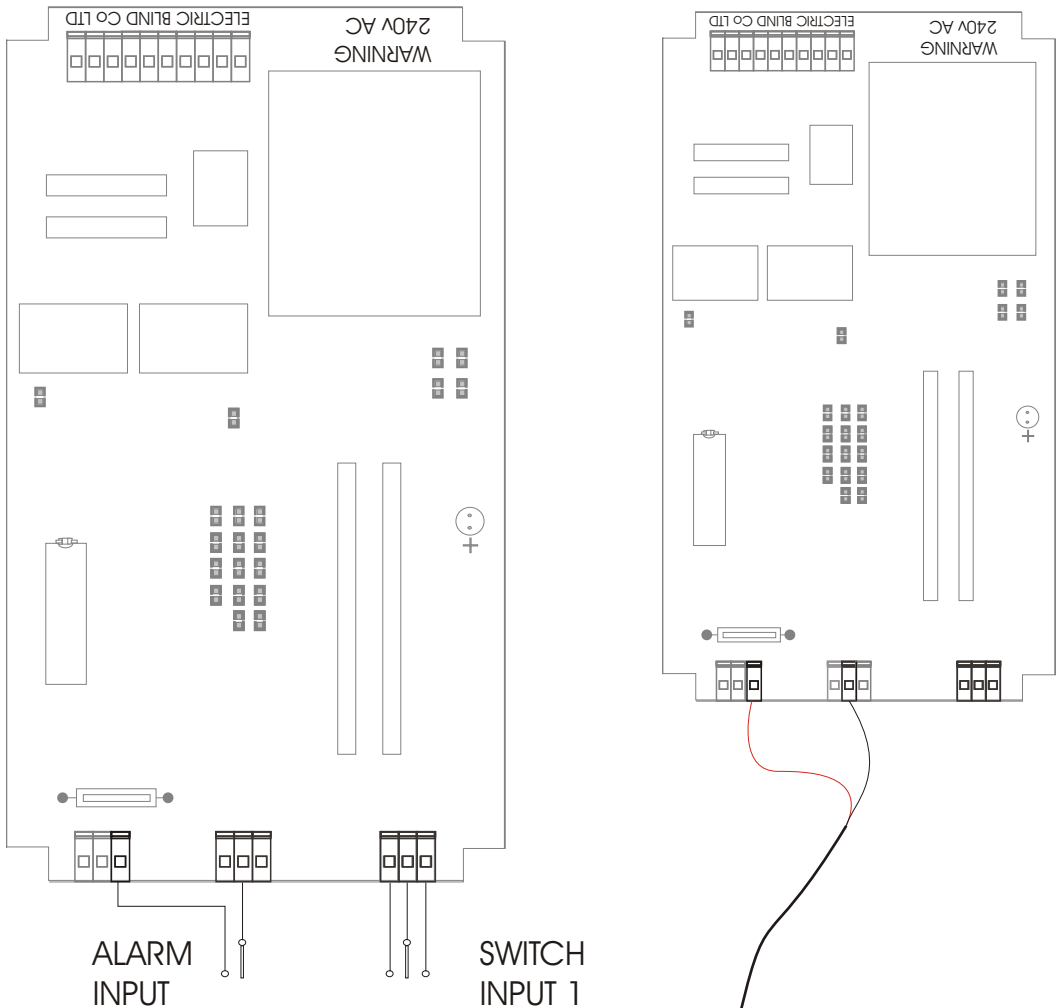
#### PLEASE NOTE

ALL OUTPUTS WILL BE TURNED OFF AFTER 2 MINUTES (EVEN IF TRIGGER IS ACTIVE)

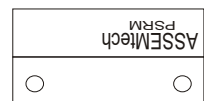
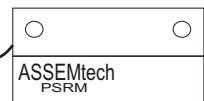


### 3A CONNECTION TO ALARM INPUTS

Cabling arrangements are shown in the diagram.



( IF ALARM INPUT IS TRIGGERED, CM1 DOWN RELAY WILL BE ACTIVE FOR 120 SECONDS AND ALL OTHER INPUTS WILL BE DISABLED UNTIL ALARM IS DEACTIVATED )

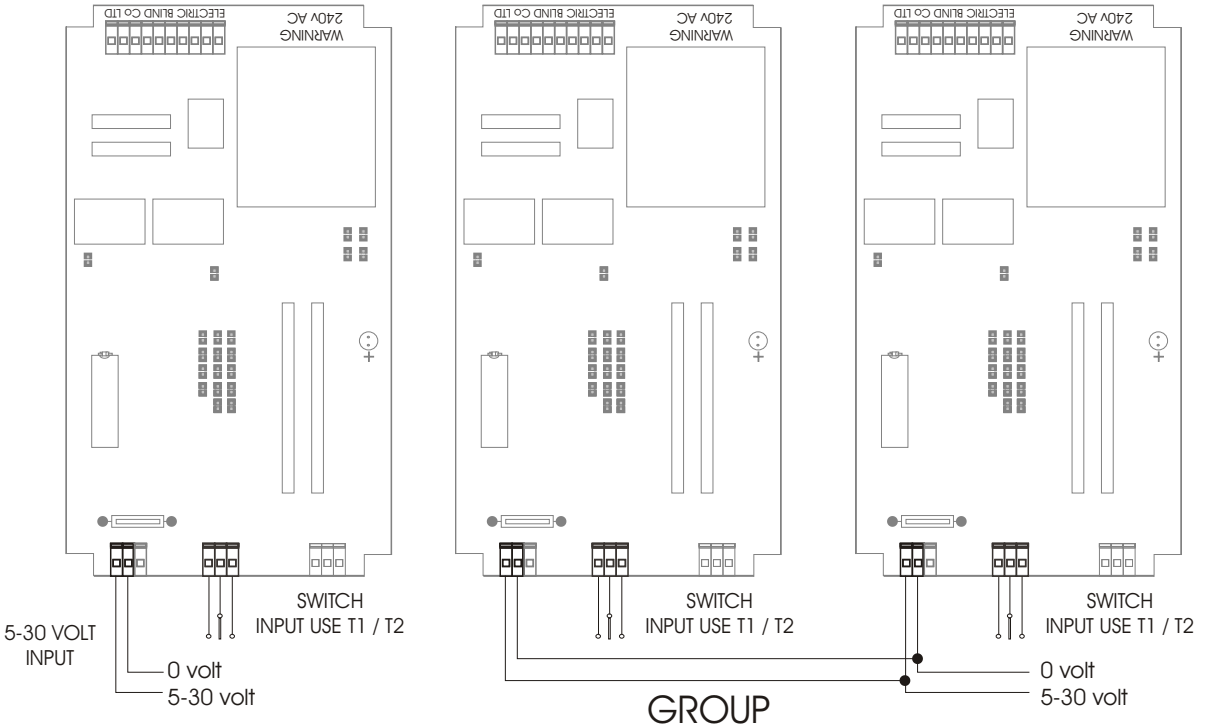


DOOR SENSOR

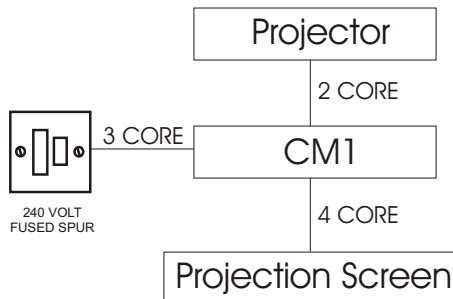
# 4 PROJECTION SCREEN & BLIND INPUTS

Cabling arrangements are shown in the diagram.

## Group & independent operation



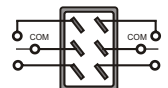
IF USING 5-30 VOLT  
SELECT MODE E  
(SEE PAGE 7)



### PLEASE NOTE

ALL OUTPUTS WILL BE  
TURNED OFF AFTER  
2 MINUTES (EVEN IF TRIGGER IS ACTIVE)

FOR GROUPING TOGETHER  
LINK 5-30 VOLT INPUTS

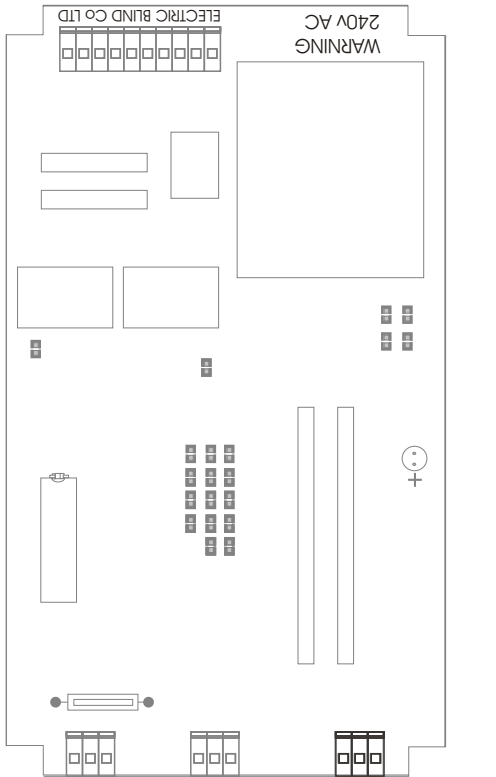


MOMENTARY  
THREE POSITION

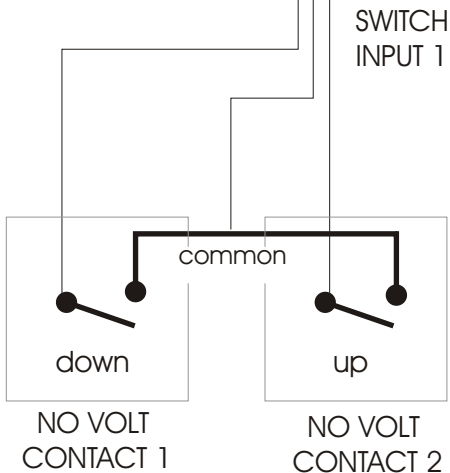
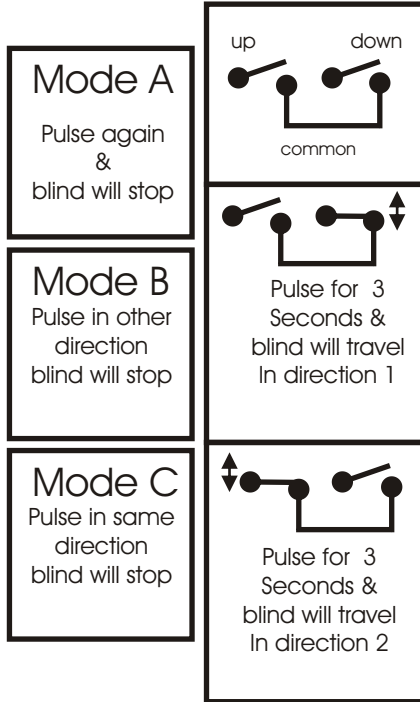


# 5 AUDIO VISUAL CONTROL (MODE A)

Cabling arrangements are shown in the diagram.

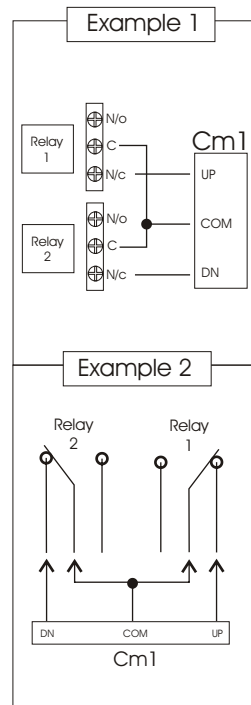


## SWITCH-FUNCTION FOR MODE A, B & C



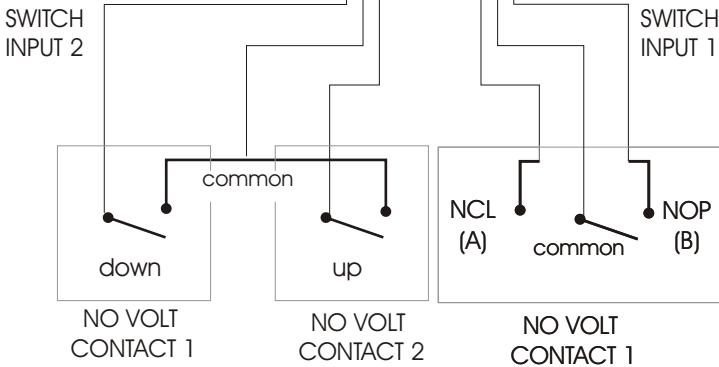
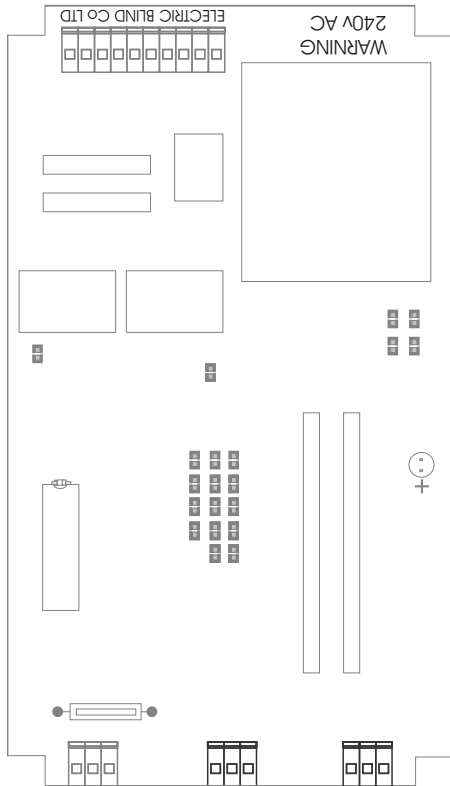
FOR MODE REFERENCES SEE PAGE 7

**PLEASE NOTE**  
ALL OUTPUTS WILL BE TURNED OFF AFTER 2 MINUTES (EVEN IF TRIGGER IS ACTIVE)



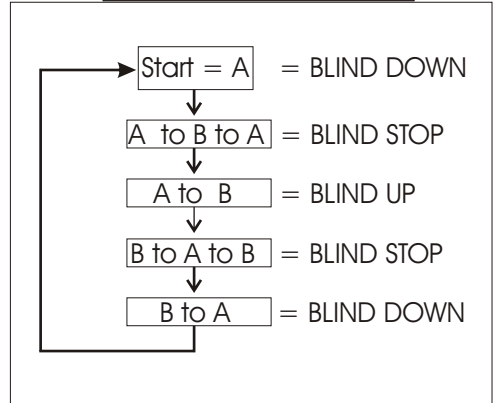
# 5A AUDIO VISUAL CONTROL (MODE F)

Cabling arrangements are shown in the diagram.



## SWITCH-FUNCTION FOR MODE F

### SWITCH 1



### SWITCH 2

**MOMENTARY RELAY ACTION**  
 (To control high voltage from small rated contact closures)

**PLEASE NOTE**  
 ALL OUTPUTS WILL BE  
 TURNED OFF AFTER  
 2 MINUTES (EVEN IF TRIGGER IS ACTIVE)  
 ONLY APPLIES ON SWITCH 1

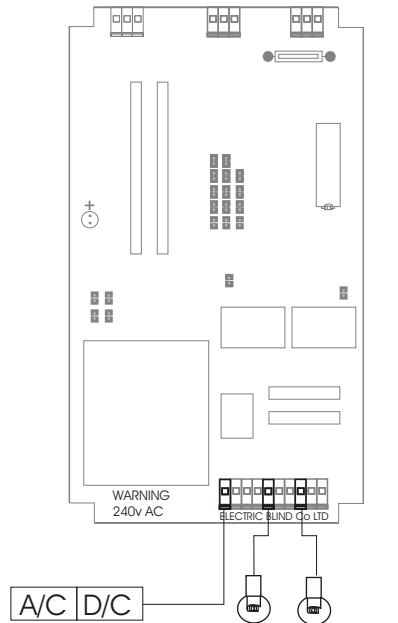
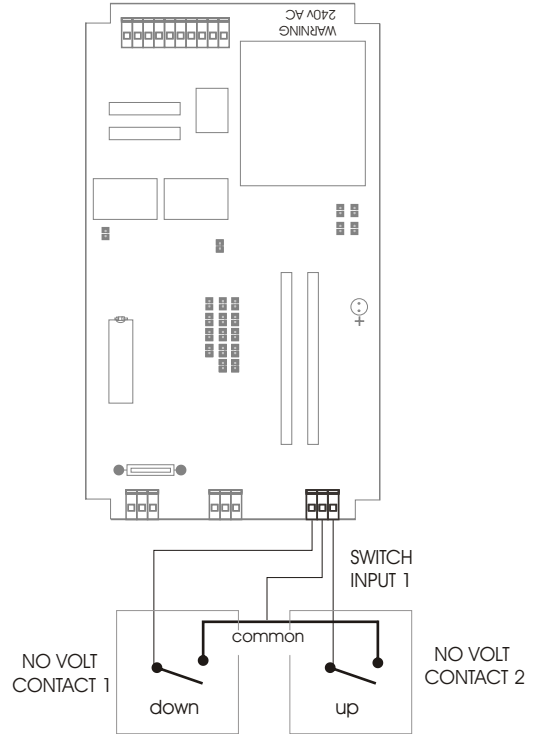
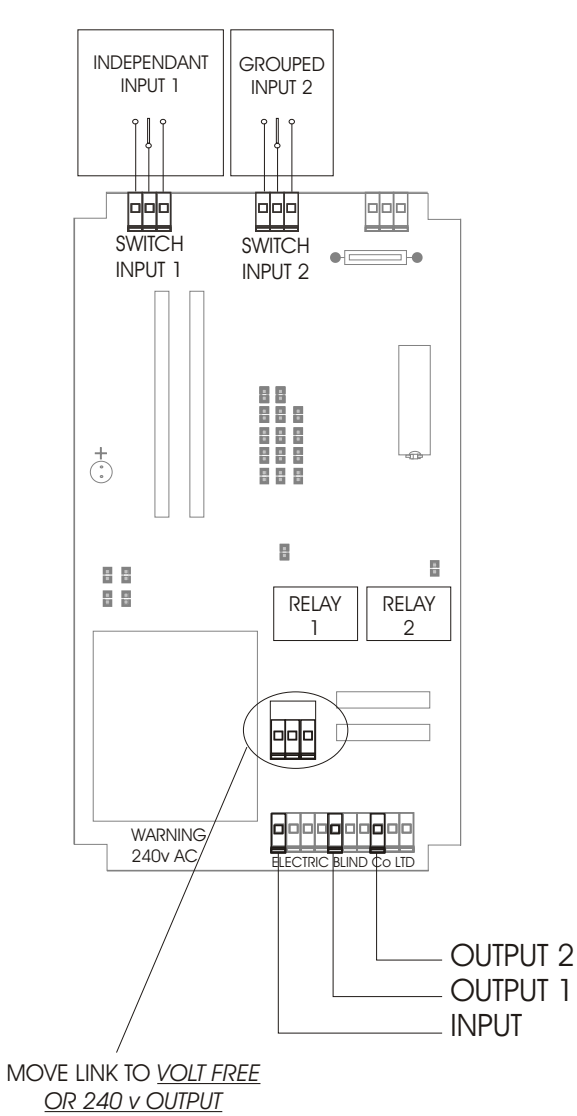
FOR MODE REFERENCES  
 SEE PAGE 7

# 6 VOLT FREE MODE

## SELECT MODE D FOR INDEPENDENT RELAY OPERATION

(BOTH RELAYS CAN BE OPERATED TOGETHER OR INDEPENDENTLY)

*MUST NOT TO BE USED WITH BLINDS OR PROJECTION SCREENS*



ALL MODES CAN STILL OPERATE IN VOLT FREE  
SEE PAGE 7

RELAYS RATED @12 AMP

2 X OUTPUTS  
240v or LOW VOLT

# Z MODES FOR CONTROL

MODE A. 3 SECOND MOMENTARY TO LATCHING

MODE B. LATCHING (STOP COMMAND BY OTHER DIRECTION)

MODE C. LATCHING (STOP COMMAND BY SAME DIRECTION)

MODE D. VOLT FREE

MODE E. 5 TO 30 VOLT A/C OR DC VOLTAGE SENSING

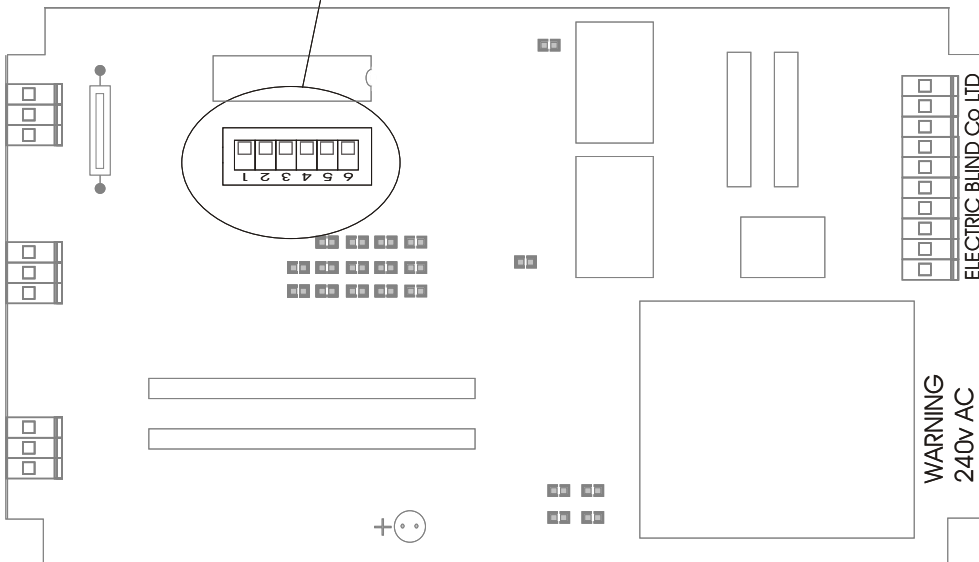
MODE F. AUDIO VISUAL & MOMENTARY MODE

		DIP SWITCH NUMBER					
		1	2	3	4	5	6
MODES	A	X					
	B		X				
	C			X			
	D				X		
	E					X	
	F						X

DIP SWITCHES

SELECT DIP SWITCH  
NUMBER FOR  
MODES A - F

**X = ON**



PLEASE NOTE:  
REMOVE POWER  
BEFORE CHANGING  
MODES

# 8 PARTS LIST

